

THRILL Compact PAR Mini LED

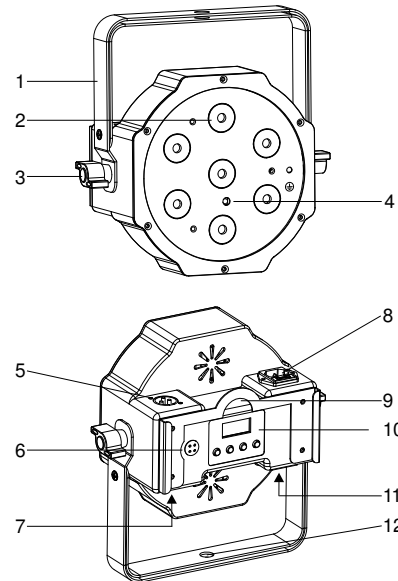


User Guide



WARNING!

Read the *Safety and Installation Guide* supplied with this product before installing or using this product.

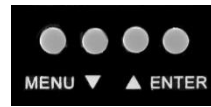


Fixture overview

1	Multi-function bracket	7	DMX Out
2	LED emitters	8	AC Mains in
3	Hand wheel	9	Secondary attachment point
4	IR receiver	10	control panel
5	DMX IN	11	AC Mains out
6	Microphone	12	Clamp attachment point

Using the control menu

The control menu is shown below. To access the menu, press the MENU button. Scroll through options with the ▼ (down) and ▲ (up) buttons. Press ENTER to select an option. To return to a higher level in the menu, press MENU. To exit the menu, press and hold MENU or wait a few seconds.



The default menu settings are shown in **bold**.

Menu	Sub-menu	Explanation
<i>Addr</i>	001-510	Set DMX address
<i>Chan</i>	3 Ch	Select 3-channel DMX mode
	6 Ch	Select 6-channel DMX mode
<i>NSL</i>	SLAV	Set Slave fixtures
	<i>MSL</i>	Set Master fixtures
<i>Show</i>	<i>Sh-</i>	
	OFF	Show selection off
	<i>Sh 1</i>	Select preprogrammed show.
	<i>Sh 2</i>	
	<i>Sh 3</i>	
<i>Sh 4</i>		
	<i>SPEd</i>	Select auto-trigger speed from 1-8
<i>Sound</i>	OFF - on	Toggle sound activation on/off
<i>Sens</i>	1-100	Set microphone sensitivity
<i>dPH</i>	BLCH	Black out if DMX lost
	SHoU	Run stand-alone show
	HoLd	Hold last values if no DMX
<i>di SP</i>	LEd	on-off Toggle display on/off
	<i>inur</i>	YES Inverted/normal display
<i>MANU</i>	<i>Stro</i>	Manual mode, select effect and set level from 0 to 255.
	<i>di PH</i>	
	<i>rEd</i>	
	<i>grEE</i>	
	<i>BLuE</i>	
<i>CONA</i>		
<i>TEST</i>		Run fixture test routine
<i>hrs</i>		Readout fixture hours
<i>ver</i>		Readout firmware version
<i>rst</i>	YES	Reset to default values

DMX mode operation and settings

DMX channel mode (*Chan*)

The Compact PAR Mini LED has 2 DMX modes that use 3 or 6 channels. The 3 channel mode provides color mixing with 0-100% control of each color; red, green, blue.

In 6-channel mode, the Compact PAR Mini LED provides color mixing, 36 popular preset colors, full-range dimming, and strobe effects. The DMX command tables list all functions and their values.

To set 3 channel or 6 channel DMX mode:

Press MENU to enter the control menu.

Scroll to *Chan*. Press ENTER to confirm.

Scroll to the desired mode: **3 Ch** or **6 Ch**.

Press ENTER to save your selection.

DMX address (*Addr*)

A DMX controller uses either 3 or 6 DMX channels to control the Compact PAR Mini LED. The DMX address is the first channel

used. If fixtures are set to 6 channel DMX mode and the first fixture's DMX address is set to 1, then it receives instructions on DMX channels 1, 2, 3, 4, 5, and 6. The next fixture could then be set to a DMX address of 7.

For independent control, each fixture must have its own unique control channels. For symmetric control, identical fixtures can be set to the same DMX address.

Assign an address for the fixture on the DMX controller. Then set that address on the Compact PAR Mini LED as follows:

1. Press MENU to enter the control menu.
2. Scroll to *Addr*. Press ENTER.
3. Scroll to the address that you assigned to the fixture.

Press ENTER to save the address.

DMX state (*dPH*)

The fixture runs in DMX mode whenever it receives DMX signals. When there is no DMX signal, the fixture can be set to run in Show Mode (*SHoU*), black out (*BLCH*), or hold the last DMX values received (*HoLd*). **For Show Mode operation, DMX state must be set to *SHoU*.**

To select behavior when there is no DMX signal:

Select *dPH* in the control menu and press ENTER.

Select the desired behavior: *SHoU*, *BLCH*, or *HoLd*.

Press ENTER to save your selection.

DMX commands, 3 Channel Mode

Ch.	Value	Function
1	0-255	Red 0-100%
2	0-255	Green 0-100%
3	0-255	Blue 0-100%

DMX commands, 6 Channel Mode

Ch.	Value	Function
1	0-7	Shutter
	8-15	Closed
	16-131	Open
	132-139	Strobe, slow to fast
	140-181	Open
	182-189	Pulse, fast close/slow open
	190-231	Open
	232-239	Pulse, slow close/fast open
	240-247	Open
	248-255	Random strobe
2	0-255	Dimmer , intensity 0-100%
3	0-255	Red , intensity 0-100%
4	0-255	Green , intensity 0-100%
5	0-255	Blue , intensity 0-100%
6	0-10	Color presets
	11-15	Off
	16-20	Color 1
	21-25	Color 2
	26-30	Color 3
	31-35	Color 4
	36-40	Color 5
	41-45	Color 6
	46-50	Color 7
	51-55	Color 8
	56-60	Color 9
	61-65	Color 10
	66-70	Color 11
	71-75	Color 12
	76-80	Color 13
	81-85	Color 14
	86-90	Color 15
	91-95	Color 16
	96-100	Color 17
	101-105	Color 18
	106-110	Color 19
	111-115	Color 20
116-120	Color 21	
		Color 22

Ch.	Value	Function
6	121-125	Color 23
	126-130	Color 24
	131-135	Color 25
	136-140	Color 26
	141-145	Color 27
	146-150	Color 28
	151-155	Color 29
	156-160	Color 30
	161-165	Color 31
	166-170	Color 32
	171-175	Color 33
	176-180	Color 34
	181-185	Color 35
	186-190	Color 36
	191-192	Off (no preset color)
	193-214	Continuous color scroll, fast to slow
	215-221	Color scroll stop
	222-243	Reverse color scroll, slow to fast
	244-247	Random colors, fast
	248-251	Random colors, medium
	252-255	Random colors, slow

Show mode operation and settings

Show mode lets you run a standalone light show without a DMX controller. Shows can be triggered by sound, or automatically triggered at eight speeds.

To enable Show Mode operation, set the DMX state setting to *SHoU*.

Show selection (*ShDU*)

Four shows are available. To select a preprogrammed show:

Press MENU to enter the control menu.

1. Scroll to *ShDU* and press ENTER.
2. Select *Sh 1* and press ENTER.
3. Select a show from *Sh 1* to *Sh 4*, or select **OFF** to disable Show Mode. Press ENTER.

Music trigger (*Sound And Sens*)

The fixture's built-in microphone triggers effect and color changes in sync with music. To enable sound activation:

1. Select *Sound* in the control menu and press ENTER.
2. Select **on** to enable sound activation or **OFF** to disable it.
3. Press ENTER to save your selection.

To adjust microphone sensitivity for the volume of the music:

1. Turn on the music source and set it to the desired volume.
2. Select *Sens* in the control menu and press ENTER.
3. Press ▼ or ▲ to decrease or increase the sensitivity level.
4. When the fixture responds as desired, press ENTER.

Auto trigger speed (*SPEd*)

To use auto trigger in Show Mode:

1. Turn off sound activation as described above.
2. Select *Show* in the control menu and press ENTER.
3. Scroll to *SPEd*. Press ENTER.
4. Select a trigger speed from 1 (slow) to 8 (fast). Press ENTER.

Master/slave mode operation and settings

Up to 32 Compact PAR Mini LEDs can be linked in a chain and set to master/slave operation, where the first Compact PAR Mini LED in the chain is set to operate as the "master" that controls the others. This provides synchronized operation without a controller.

Note: There must be no more than one master in the chain.

Set all other connected fixtures to operate as slaves.

To set the first fixture to be the master:

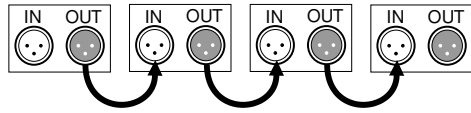
1. Enter the control menu and scroll to *NSL*. Press ENTER.

2. Scroll to *PAR5L*. Press ENTER.
3. Set show mode options as described above.

To set other fixtures as slaves:

1. Enter the control menu and scroll to *PAR5L*. Press ENTER.
2. Scroll to *5L Rv*. Press ENTER.

Link the master and slave fixtures in a chain, using DMX cable to connect each fixture's DMX OUT socket to the next fixture's DMX IN socket as described in the Safety and Installation Guide.



Other settings

LED display on/off (*LEd*)

To set the control panel's LED display to be on all the time, or to automatically sleep when not in use:

1. Select *d SP* in the control menu and press ENTER.
2. Select *LEd* and press ENTER.
3. Select *on* (display on) or *oFF* (display off when not in use).
4. Press ENTER to save your selection.

LED display inversion (*INUR*)

To invert the control panel's LED display for easier reading:

1. Select *d SP* in the control menu and press ENTER.
2. Select *INUR* and press ENTER.
3. Select *YES* to invert the display.
4. Press ENTER to save your selection or MENU to escape.

Manual mode (*PARnu*)

Effects can be set from the control panel. To keep the effect settings, do not exit the menu.

See the 6-channel mode DMX table for command values. To set effects from the control panel:

1. Enter the control menu and scroll to *PARnu*. Press ENTER.
2. Scroll to the color or effect to adjust. Press ENTER.
3. Press \blacktriangledown or \blacktriangle to specify a value from 0 to 255 for the effect.
4. Press ENTER to set the effect.
5. Press MENU and repeat for the other colors or effects.

Auto test (*tP5L*)

To test all of the fixture functions select *tP5L* and press ENTER. Press MENU to exit the test routine.

Fixture readouts

Hours: To display the fixture's total operating hours select *PHPS* and press ENTER. Press MENU to exit.

Firmware: To display the firmware version number, select *MP* and press ENTER. Press MENU to exit.

Settings reset

To return all user settings to the factory default values, select *r5L* in the control menu. Press ENTER to confirm or MENU to escape.

Remote control operation

The remote control works with all Compact PAR Mini LED fixtures within range.

To operate the Compact PAR Mini LED with the remote control:

Verify that the fixture is not connected to a DMX controller. Press MENU to enter the control menu.

1. Scroll to *5hUU* and press ENTER.
2. Select *5h_* and press ENTER.
3. Select *oFF* to disable Show Mode. Press ENTER.
4. To execute commands, point the remote control towards the

front of the fixture and the press corresponding button. See table below.

Remote Control Commands

Button	Function
BL	Toggle LEDs on/off
SP	Adjust speed (4 levels). Use with JU, FA, and SU.
	Dimming (4 levels)
FL	Strobe (4 speeds)
R	Adjust Red intensity (off, 4 levels)
G	Adjust Green intensity (off, 4 levels)
B	Adjust Blue intensity (off, 4 levels)
W	no function
A	no function
UV	no function
JU	Jump Mode – snaps thru pre-programmed colors. Adjust speed with SP.
FA	Fade Mode – fades thru pre-programmed colors. Adjust speed with SP.
AU	Auto-trigger mode.
SU	Music-triggered Sound Mode. Adjust sensitivity level with SP.
CM+	Next color
CM-	Previous color

Replacing the wireless remote control battery

The wireless remote control uses a single CR 2025 coin/button/cell 3 V lithium battery. To replace the battery:

1. Depress the battery tray lock on the reverse of the remote control and slide out the battery tray. Remove the old battery.
2. Insert a fresh battery with the positive terminal towards the back of the remote. A diagram on the remote control indicates the correct orientation.
3. Align the battery tray to the remote control and re-insert the tray ensuring that the locking mechanism is secure.
4. Dispose of used batteries in accordance with local regulations.

If the coin/button/cell battery compartment does not close securely, stop using the product and keep it away from children and animals. Contact Martin Professional for Service and Support.

Troubleshooting

Symptom	Potential Causes	Remedies
No light from fixture, control panel dead	Power supply issue such as blown fuse, faulty connector or damaged cable	<ul style="list-style-type: none"> Ensure that the mains supply is connected and supplying power to the fixture Check all power connections and cables Check and if necessary replace the fuse
Fixture does not respond to DMX control	Fault in the DMX network due to connector or cable damage, incorrect DMX addressing, or signal interference	<ul style="list-style-type: none"> Ensure that fixture's DMX address matches address set on DMX control device Check DMX cables and connections Ensure that DMX link is terminated Reduce number of fixtures on DMX link Attempt to control the fixture with another DMX control device Move or shield link if it is close to unshielded high-voltage cables
Fixture does not respond in Show Mode	Fixture set to run as slave	Change master/slave setting master
	Sound trigger disabled	Enable sound trigger
	Show Mode disabled or no show selected	<ul style="list-style-type: none"> Change DMX state setting to Show Mode Select a show
Fixtures don't respond in master/slave mode	Microphone sensitivity too low	Increase sensitivity <i>SPt t nG</i>
	Fixture receiving multiple control signals	<ul style="list-style-type: none"> Disconnect or turn off DMX controller Verify there is only one fixture master fixture
Fixture does not respond to remote control	No master fixture	Set first fixture in chain as master
	Remote control out of range	Move closer to fixture
	Battery exhausted	Replace battery
	Incorrect menu settings	Verify show mode is disabled (<i>5h- = oFF</i>)

Information subject to change without notice. HARMAN Professional Inc. disclaims liability for any injury, damage, direct or indirect loss, consequential or economic loss or any other loss occasioned by the use of, inability to use or reliance on the information contained in this document.

©2017 HARMAN Professional Inc. All rights reserved. Martin® is a registered trademark of HARMAN Professional Inc. registered in the United States and/or other countries. Features, specifications, and appearance are subject to change without notice.

HARMAN Professional Inc.
8500 Balboa Boulevard • Northridge, CA, USA • 91329

www.martin.com

Document revision: **B**

THRILL Compact PAR Mini LED



Safety and Installation Guide



WARNING!
Read the safety precautions in this guide before installing or using this product.

Introduction

The THRILL Compact PAR Mini LED is a compact color-mixing lighting fixture with seven long-life RGB LED emitters. It provides strobe effects, full 0-100% control of each color, and full-range dimming. The lightweight construction and flexible control options make it ideal for mobile DJs and small venues.

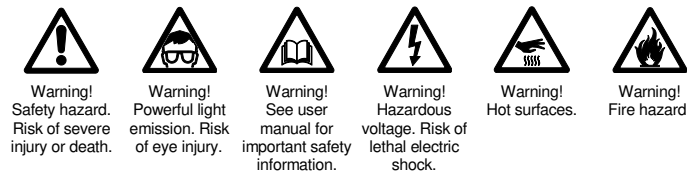
It is supplied with this guide, a user guide, power cables, a remote control, and a multi-function bracket for attachment of a suitable rigging clamp (not included), or use as a floor stand.


Before installing and using the fixture:

1. Read the safety information.
2. Unpack the fixture and ensure that there is no transportation damage. Do not attempt to operate a damaged fixture.
3. Ensure that your AC voltage and frequency match the power requirements of the fixture.
4. Check the Martin Professional website at www.martin.com for the most recent product documentation and technical information. Martin document revisions are identified by the revision letter below the legal notice.

Safety information

The following symbols identify important safety information:



 This lighting fixture presents risks of severe injury or death due to fire hazards, electric shock and falls. It is Exempt Group (RG 0) per EN 62471, where no optical hazard is considered reasonably foreseeable, even for continuous, unrestricted use.



Install, operate and service this product only as directed, or you may create a safety hazard or cause damage that is not covered by product warranties.

Follow the safety precautions below and observe all warnings on the product. Follow the instructions and observe all warnings in the product's user guide. Keep this information for future reference.

For the latest user documentation and other information about this and all Martin products, visit the Martin website at <http://www.martin.com>.

Respect all locally applicable laws, codes and regulations when installing, operating or servicing the product.



Follow the safety precautions below and observe all warnings on the product. Follow the instructions and observe all warnings in the product's user guide. Keep this information for future reference.

For the latest user documentation and other information about this and all Martin products, visit the Martin website at <http://www.martin.com>.

Respect all locally applicable laws, codes and regulations when installing, operating or servicing the product.

Protection from electric shock



Do not expose the product to water or moisture. Disconnect the product from AC power before carrying out installation or maintenance and when the product is not in use.

Ensure that the product is electrically connected to ground (earth).

Use only a source of AC power that complies with local building and electrical codes and has both overload and ground-fault (earth-fault) protection.

Socket outlets or external power switches used to supply the product with power must be located near the product and easily accessible so that it can easily be disconnected from power.

Replace blown fuses with ones of the specified type and rating.

Isolate the product from power immediately if the power plug or any seal, cover, cable, or other component is damaged, defective, deformed, wet or showing signs of overheating. Do not reapply power until the problem is corrected.

Before connecting the product to power, check that all power distribution equipment and cables are undamaged and rated for the electrical requirements of all connected products.

The maximum current through the MAINS OUT socket is of 3 A. Do not use the MAINS OUT socket to connect power to more than:

- Ten (10) additional Compact PAR Mini LED fixtures at 100-120 V, or
- Fifteen (15) additional Compact PAR Mini LED fixtures at 200-240 V.

Protection from burns and fire



Do not operate the fixture if the ambient temperature (T_a) exceeds 40° C (104° F).

The surface of the product casing can reach up to 45° C (113° F) after 5 minutes of operation and during a steady on state. Avoid contact by persons and materials. Allow the fixture to cool for at least 10 minutes before handling.

Keep flammable materials well away from the fixture. Keep all combustible materials (e.g. fabric, wood, paper) at least 100 mm (4 in.) away from the fixture.

Ensure that there is free and unobstructed airflow around the fixture. Provide a minimum clearance of 100 mm (4 in.) around fans and air vents.

Do not illuminate surfaces within 200 mm (8 in.) of the fixture.

Do not attempt to bypass thermostatic switches or fuses.

Do not stick filters, masks or other materials onto any optical component.

The fixture's lenses can focus the sun's rays inside the fixture, creating a risk of fire and damage. Do not expose the front of the fixture to sunlight or any other bright light source.

Protection from eye injury



Lighting fixtures emit possibly hazardous radiation. Do not look at an operating lamp. Eye injury may result.

To minimize the risk of eye injury or irritation, disconnect lighting fixtures from power at all times when not in use, and provide well-lit conditions to reduce the pupil diameter of anyone working on or near them.

Do not look at output from lighting fixtures with magnifiers, telescopes, binoculars or similar optical instruments that may concentrate the light.

Ensure that persons are not looking directly into a lighting fixture when it lights up suddenly. This can happen when power is applied, when the fixture receives a remote control signal, or when certain control menu items are selected.

Protection from injury



Do not attempt to repair a defective product or modify the product in any way. LEDs are not user-replaceable. Refer all service to your Martin dealer or contact Martin directly for technical support through www.martin.com/contact-support.

Fasten the fixture securely to a fixed surface or structure when in use. The fixture is not portable when installed.

Ensure that any supporting structure and/or hardware used can hold at least 10 times the weight of all the devices they support and complies with locally applicable regulations.

To suspend the fixture from a rigging structure, use a suitable rigging clamp. Do not use safety cables as the primary means of support.

If the product is installed in a location where it may cause injury or damage if it falls, install as directed a secondary attachment such as a safety cable that will hold the machine if a primary attachment fails. The secondary attachment must be approved by an official body such as TÜV as a safety attachment for the weight that it secures, must comply with EN 60598-2-17 Section 17.6.6 or BGV C1 / DGUV 17, and must be capable of bearing a static suspended load at least six times the weight of the fixture (or more if required by locally applicable regulations). Check that all external covers and rigging hardware are securely fastened.

Block access below the work area and work from a stable platform whenever installing, servicing or moving the fixture.

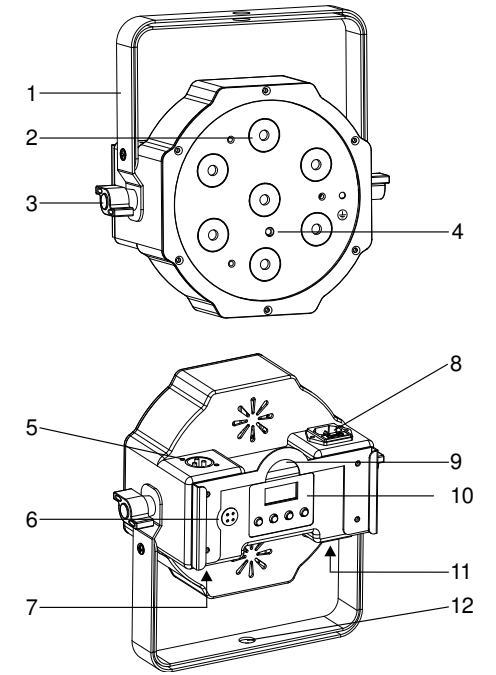
Do not operate the fixture with missing or damaged covers, shields or any optical component.

In the event of an operating problem, stop using the fixture immediately and disconnect it from power. Do not attempt to use a fixture that is obviously damaged.

Do not modify the fixture in any way not described in this manual or install other than genuine Martin® parts.

Flashing light can trigger epileptic seizures in flicker-sensitive persons. Provide notice when strobe lighting is in use at the entrance(s) to the venue. Mount flashing lights as high above head height as practicable and avoid extended periods of continuous flashing, particularly at 10 to 20 flashes per second. Stop lights from flashing immediately if a person has an epileptic seizure.

The remote control supplied with this product contains a coin/button/cell battery. If the coin/button/cell battery is swallowed it can cause severe internal burns in just two hours and lead to death. Keep new and used coin/button/cell batteries away from children and animals. If the coin/button/cell battery compartment does not close securely, stop using the product and keep away from children and animals. If you think coin/button/cell batteries have been swallowed or placed inside of the body seek immediate medical attention.



1	Multi-function bracket	7	DMX Out
2	LED emitters	8	AC Mains in
3	Hand wheel	9	Secondary attachment point
4	IR receiver	10	User interface
5	DMX In	11	AC Mains out
6	Microphone	12	Clamp attachment point

Fixture overview

Physical installation



The THRILL Compact PAR Mini LED is designed for indoor use only and must be used in a dry location with adequate ventilation.

Fasten the fixture to a secure structure or surface. Do not stand it on a surface or leave it where it can be moved or fall over. If you install the fixture in a location where it may cause injury or damage if it falls, secure it as directed using a securely anchored safety cable that will hold the fixture if the primary fastening method fails.

Fastening the fixture to a flat surface

The fixture can be fastened to a hard, fixed, flat surface. Ensure that the surface and all fasteners used can support at least 10 times the weight of all fixtures and equipment they support and comply with locally applicable regulations.

Fasten the fixture securely. Do not stand it on a surface or leave it where it can be moved or fall over. To use the bracket as a floor stand:

1. Loosen the hand wheels on both sides of the bracket.
2. Unfold the bracket as required, taking caution not to over-extend the bracket.
3. Position the fixture and adjust the tilt angle.
4. Tighten both hand wheels. Do not over-tighten.

Mounting the fixture on a truss

The fixture can be clamped to a truss or similar rigging structure. It must be suspended vertically, hanging downwards only. Use a suitable rigging clamp such as a super lightweight half-coupler clamp (shown to right) fastened to the included clamp attachment bracket.



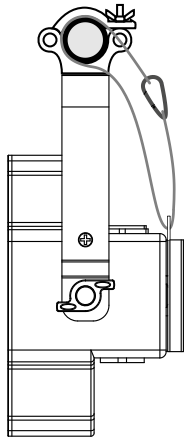
To clamp the fixture to a truss:

1. Check that the rigging structure can support at least 10 times the weight of all fixtures and equipment to be installed on it, and complies with locally applicable regulations.
2. Block access under the work area.
3. Fold the two parts of the multi-function bracket together.
4. Bolt a rigging clamp securely to the supplied clamp-attachment bracket. The bolt used must be M12, grade 8.8 steel minimum, and fastened with a self-locking nut or wing-nut/self-locking washer combination.
5. Working from a stable platform, hang the fixture vertically on the truss and fasten the rigging clamp to the truss.
6. Secure the fixture with a safety cable as directed.
7. Tilt the fixture as desired and tighten the hand wheels.

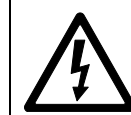
Securing with a safety cable

Secure the THRILL Compact PAR Mini LED with a safety cable or other secondary attachment that is approved for the weight of the fixture to prevent it from falling if the primary attachment fails. Loop the safety cable through the secondary attachment point on the rear mounting plate and around a secure anchoring point.

Do not loop the safety cable around the bracket only, as this will leave the fixture unsecured if it separates from the bracket.



AC power



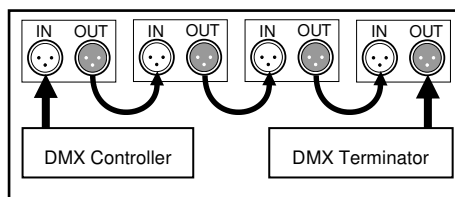
For protection from electric shock, the fixture must be grounded (earthed). The power distribution circuit must be equipped with a fuse or circuit breaker and ground-fault (earth-fault) protection.

The fixture has an auto-ranging power supply that accepts 100-240 V AC mains power at 50/60 Hz. Do not apply AC mains power at any other voltage or frequency. To prevent damage, do not use an external dimming system to supply power.

If a suitable IEC extension cord is obtained, additional fixtures may be connected to the MAINS OUT socket, but do not exceed a current load of 3 A. If supplying power to additional Compact PAR Mini LED fixtures, you may connect up to:

- Ten (10) additional Compact PAR Mini LED fixtures at 100-120 V, or
- Fifteen (15) additional Compact PAR Mini LED fixtures at 200-240 V.

Control data link



The DMX IN socket is for connection to a DMX-512 controller. The DMX OUT socket may be used to connect a total of up to 32 fixtures in a daisy chain for DMX operation or synchronized master/slave operation.

Use 3-pin XLR DMX data cable (120 ohm). Microphone cable is designed for audio signals and is unreliable for data transmission. Terminate the data link by installing a termination plug in the output of the last fixture. The termination plug "soaks up" the control signal so it does not reflect and cause interference.

Maintenance



Do not open the housing. There are no user serviceable parts inside the fixture.

Disconnect the fixture from mains power before performing maintenance.

The user may carry out the maintenance operations described below. Do not attempt to repair a defective fixture. Refer all service to your Martin dealer or contact Martin directly for technical support through www.martin.com/contact-support.

Cleaning

The Compact PAR Mini LED must be cleaned periodically. Excessive dust, effect fluid, and particle buildup degrades performance, causes overheating and will damage the fixture. Damage caused by inadequate cleaning is not covered by the product warranty.

The cleaning schedule will vary greatly depending on the operating environment. Inspect the fixture once a month and clean if necessary. Inspect every 1-2 weeks if the fixture is frequently used with effect machines, in locations with heavy cigarette smoke, operated or stored in a dusty location, or installed near an air duct. This procedure will allow you to assess cleaning requirements in your particular situation.

Keep the fixture dry and use gentle pressure when cleaning. Work in a clean, well-lit area. Do not use any cleanser that contains solvents or abrasives, as these can cause surface damage.

To clean the fixture:

1. Disconnect the fixture from power and allow it to cool.
2. Vacuum or gently blow away dust and loose particles from the outside of the fixture with low-pressure compressed air.
3. Clean the casing and lenses by wiping gently with a soft, clean microfiber cloth. Remove stuck particles with an unscented tissue or cotton swab moistened with distilled water. Do not rub hard.

Replacing the primary fuse

Replace fuse with same size and specified rating only.

If the fixture is completely dead, the primary fuse may have blown and it may be necessary to install a new fuse. A spare fuse is located in the fuse holder.

Specifications

Physical

Dimensions (L x W x H).....	229 x 115 x 229 mm (9 x 4.5 x 9 in.)
Maximum standing footprint.....	229 x 204 mm (9 in. x 8 in.)
Weight.....	1.3 kg (2.9 lbs.)

Dynamic Effects

Color mixing.....	RGB
Color selection.....	36 color presets
Electronic dimming.....	0 - 100%
Strobe and pulse.....	Variable speed and action, random strobe
Electronic 'shutter' effect.....	Instant open and blackout

Control and Programming

Control options.....	DMX, stand-alone, IR remote control
DMX channels.....	3/6
Stand-alone trigger options.....	Sound-trigger, auto-run
User Interface.....	Control panel with LED display
DMX compliance.....	ANSI E1.11 - USITT DMX512-A

Optics

Light source.....	7 x 3 W RGB LEDs
Minimum LED lifetime.....	30 000 hours (to >70% luminous output)*
Beam angle.....	25°

*Figure obtained under manufacturer's test conditions

Construction

Housing.....	High impact flame retardant thermoplastic
Color.....	Black
Ingress protection.....	IP 20

Installation

Mounting.....	Adjustable bracket, surface or truss mount
Mounting points.....	Bracket for single rigging clamp, M12 or 1/2"
Orientation.....	Any
Location.....	Indoor use only

Connections

AC power in/thru.....	IEC male inlet/female connector, C14/C13
DMX data in/thru.....	3-pin XLR

Electrical

AC power.....	100-240 V nominal, 50/60 Hz
Fuse.....	F 3AL, 250V
Typical total power consumption.....	25 W
Maximum mains out current.....	3 A

Typical power and current

110 V, 60 Hz.....	0.3 A, 30 W*
230 V, 50 Hz.....	0.2 A, 30 W*

*Measurements made at nominal voltage with all LEDs at full intensity. Allow for a deviation of +/- 10%.

Thermal

Cooling.....	Passive
Maximum ambient temperature (T _a max.).....	40° C (104° F)
Minimum ambient temperature (T _a min.).....	0° C (32° F)
Total heat dissipation.....	85 BTU/hr.*

*Calculated, +/- 10%, at full intensity, full white

Approvals

EU safety.....	EN 60598-1, EN 60598-2-17, EN 62471, EN 62493
EU EMC.....	EN 55015, EN 61000-3-2, EN 61000-3-3, EN 61547
US EMC (pending).....	CFR Title 47 Part 15 Class A
Canadian EMC (pending).....	ICES-003 Class A
Australia/NZ (pending).....	RCM



Included Items

Power cable, EU, IEC C13 female, molded Schuko, 1.5 m (4.9 ft.)
Power cable, US, IEC C13 female, molded NEMA 5-15P, 1.5 m (4.9 ft.)
Multi-function bracket and hardware
IR remote control, grey, 16-button
Battery for remote control, 3 V, CR2025 lithium

Accessories

Super lightweight half-coupler, black.....	P/N 91602018
Safety cable, SWL 60 kg, BGV C1/ DGUV 17, black.....	P/N 91604006

Related Items

Martin® M-Touch.....	P/N 90737040
Martin® M-Play.....	P/N 90737030

Ordering Information

THRILL Compact PAR Mini LED.....	P/N 90280115
----------------------------------	--------------

Specifications subject to change without notice. For latest product specifications, see www.martin.com

FCC Compliance

This device complies with Part 15, Class B, of the FCC Rules. Operation is subject to the following two conditions: (1) This device may not cause harmful interference, and (2) this device must accept any interference received, including interference that may cause undesired operation.

Canadian Interference-Causing Equipment Regulations - Règlement sur le Matériel Brouilleur du Canada

This Class B digital apparatus meets all requirements of the Canadian Interference-Causing Equipment Regulations. Cet appareil numérique de la classe B respecte toutes les exigences du Règlement sur le Matériel Brouilleur du Canada.

Disposing of this product



THRILL by Martin® products are supplied in compliance with Directive 2012/19/EC of the European Parliament and of the Council of the European Union on WEEE (Waste Electrical and Electronic Equipment), where applicable. Help preserve the environment! Ensure that this product is recycled at the end of its life. Your supplier can give details of local arrangements for the disposal of THRILL by Martin® products.

Information subject to change without notice. HARMAN Professional Inc. disclaims liability for any injury, damage, direct or indirect loss, consequential or economic loss or any other loss occasioned by the use of, inability to use or reliance on the information contained in this document.

©2017 HARMAN Professional Inc. All rights reserved. Martin® is a registered trademark of HARMAN Professional Inc. registered in the United States and other countries. Features, specifications, and appearance are subject to change without notice.

HARMAN Professional Inc.
8500 Balboa Boulevard • Northridge, CA, USA • 91329
www.martin.com

Document revision: B